

MODULAVEYOR

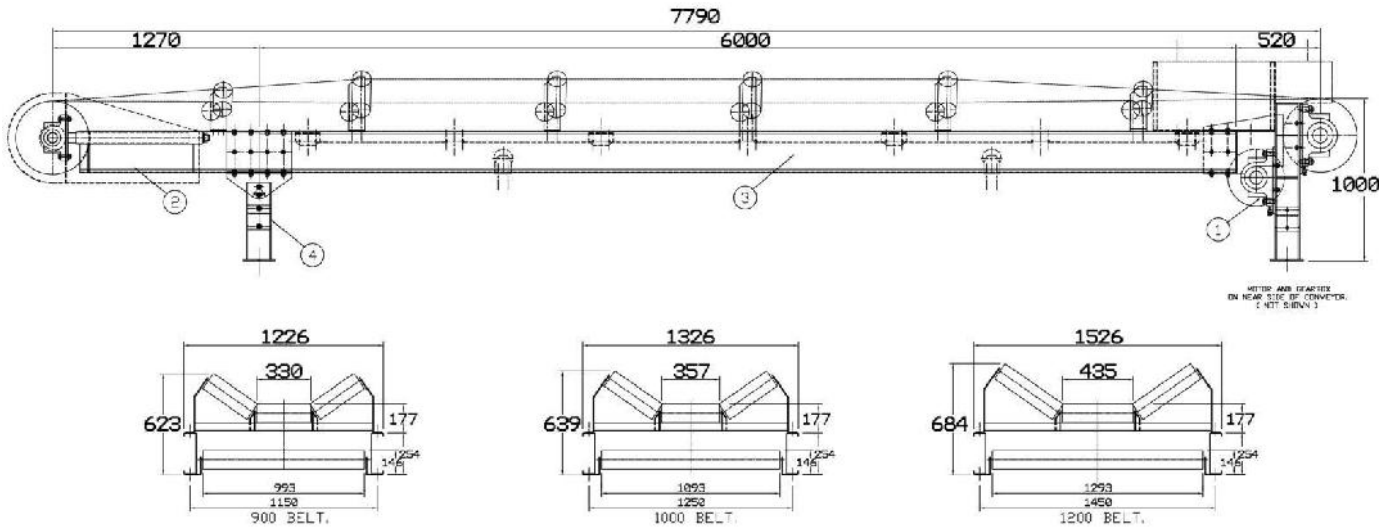
CONVEYOR SYSTEMS

SERIES M-H

MEDIUM - HEAVY



SERIES M-H
MEDIUM-HEAVY



Belt Width (mm)	Model	Std Conveyor Length (metres)	Max Capacity (tph B/D of 1.5)	Belt Speed (m/min) @ 50HZ operation
900mm	MH-90-6	6		
	MH-90-12	12	300	35
	MH-90-18	18	450	50
	MH-90-24	24	600	75
	Other length variations to client request.			
1000mm	MH-100-6	6		
	MH-100-12	12	350	35
	MH-100-18	18	500	50
	MH-100-24	24	700	75
	Other length variations to client request.			
1200mm	MH-120-6	6		
	MH-120-12	12	500	35
	MH-120-18	18	750	50
	MH-120-24	24	950	75
	Other length variations to client request.			

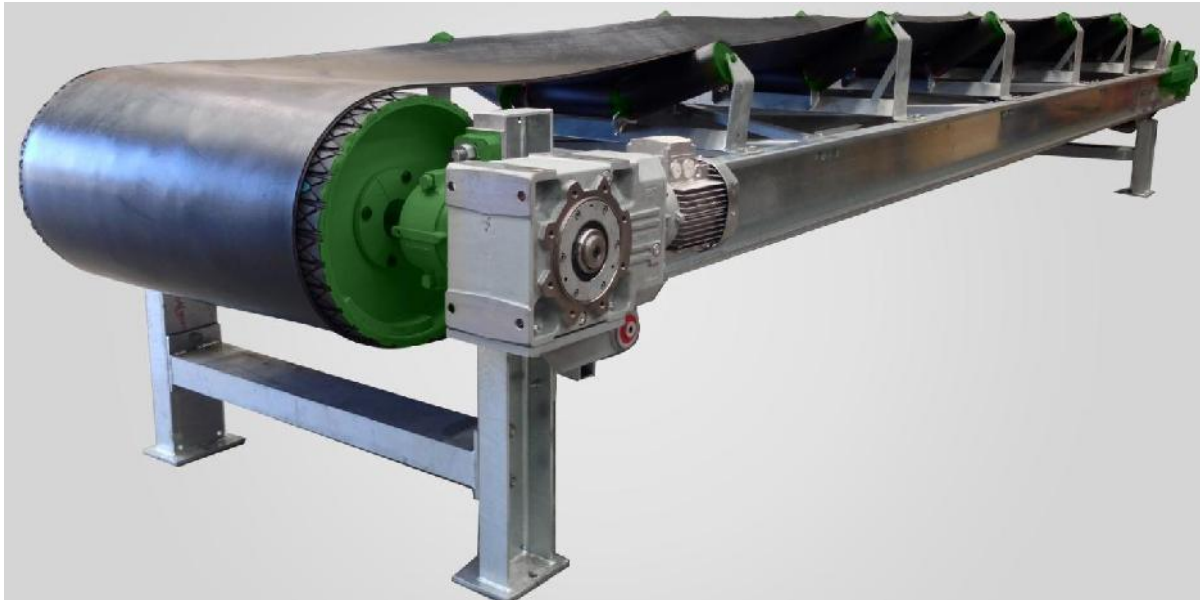
Conveyor Speed Options Available.
(Standard lengths include standard captive screw take-up)

Optional Accessories:

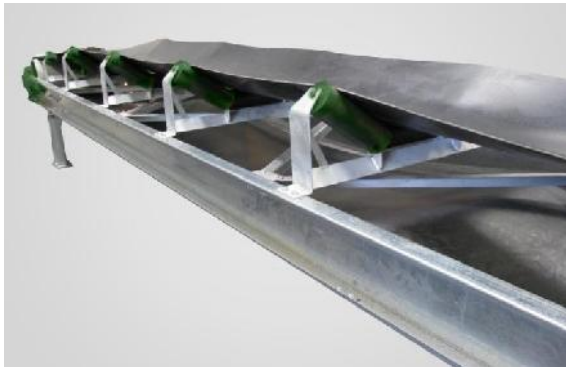
- Metal detector
- Belt Weigher
- Drive and speed options
- Conveyor Belt (Smooth or Cleated)
- Leg supports (above 1m conveyor height)
- Hoppers
- Conveyor Covers
- Impact Beds

SERIES M-H

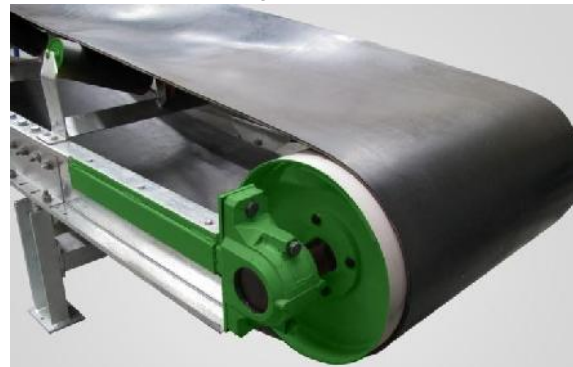
MEDIUM-HEAVY



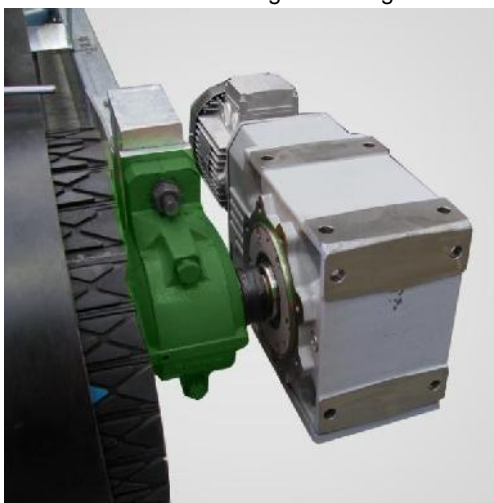
900-1000 & 1200mm Belt Width in 6 metre module length.



3-Row Trough x 35 deg



Standard Tail Take-Up



Drive-In Standard (Bevel Helical SMSR)
Drive Options Available



Standard Construction with Supports
(1m Conveyor Overall Height)

*** Safety Guards Included ***

SERIES L-M

LIGHT-MEDIUM

Modulaveyor is also available in Light-Medium (L-M) Series:



Available belt widths: 450mm, 600mm & 750mm

NAME: _____	DATE: _____
COMPANY: _____	PHONE: _____
ADDRESS: _____	FAX: _____
_____	EMAIL: _____

CONVEYOR APPLICATION DATA	RESPONSE
BELT WIDTH	_____
CONVEYOR LENGTH (METRES)	_____
CONVEYOR LIFT (METRES)	_____
BELT SPEED (METRES/SEC)	_____
FIXED <input type="checkbox"/> OR VARIABLE SPEED <input type="checkbox"/>	_____
TROUGHED PROFILE	_____
DATE EQUIPMENT REQUIRED	_____

CONVEYED MATERIAL:	RESPONSE
MATERIAL TYPE	_____
CAPACITY (TPH)	_____
MATERIAL LUMP SIZE (MM)	_____
PERCENTAGE OF FINES (%)	_____
MOISTURE CONTENT (%)	_____
BULK DENSITY (KG/M ³)	_____
MATERIAL TEMPERATURE (°C)	_____

STANDARD DESIGN/SUPPLY INCLUDES:
<ul style="list-style-type: none"> ● MODULAR FRAME CONSTRUCTION ● 3 ROLL TROUGH PROFILES ● DRIVE ASSEMBLY CHOICE OF EITHER MOTORISED DRUM OR EXTERNAL GEARED MOTOR. ● DRIVE END, TAIL END SAFETY GUARDING ● STEEL TROUGH AND FLAT RETURN IDLER ROLLERS WITH MULTI LABYRINTH SEALING. ● HEAD PULLEY CLEANER/VEE PLOUGH

CONVEYOR OPTIONS AVAILABLE:	RESPONSE
● SUPPORT LEGS	<input type="checkbox"/>
● CONVEYOR COVERS, CHUTES & HOPPERS	<input type="checkbox"/>
● SAFETY PULL SWITCH, SUPPLY ONLY	<input type="checkbox"/>
● UNDERSPEED SWITCH, SUPPLY ONLY	<input type="checkbox"/>
● CONVEYOR IMPACT BED	<input type="checkbox"/>
● METAL DETECTOR	<input type="checkbox"/>
● BELT SCALE UNIT	<input type="checkbox"/>

DESIGN SELECTION TO SUIT YOUR APPLICATION CAN BE QUOTED